

EQUIPMENT FOR THE SMALLER JOB



for exterior expanded joints



removal of loose knots



removal of excessively soft, weathered or damaged wood



fast acting

lightweight

low-noise

compact

dependable

variable speed

handy in use

- for expanded joints, and cracks and seams
- removal of wood knots and resin blisters using a moulding cutter tool
- removal of soft and damaged wood

IMPORTANT ACCESSORIES



pin cutter tool for indoor and round-head cutter tool for outdoor use



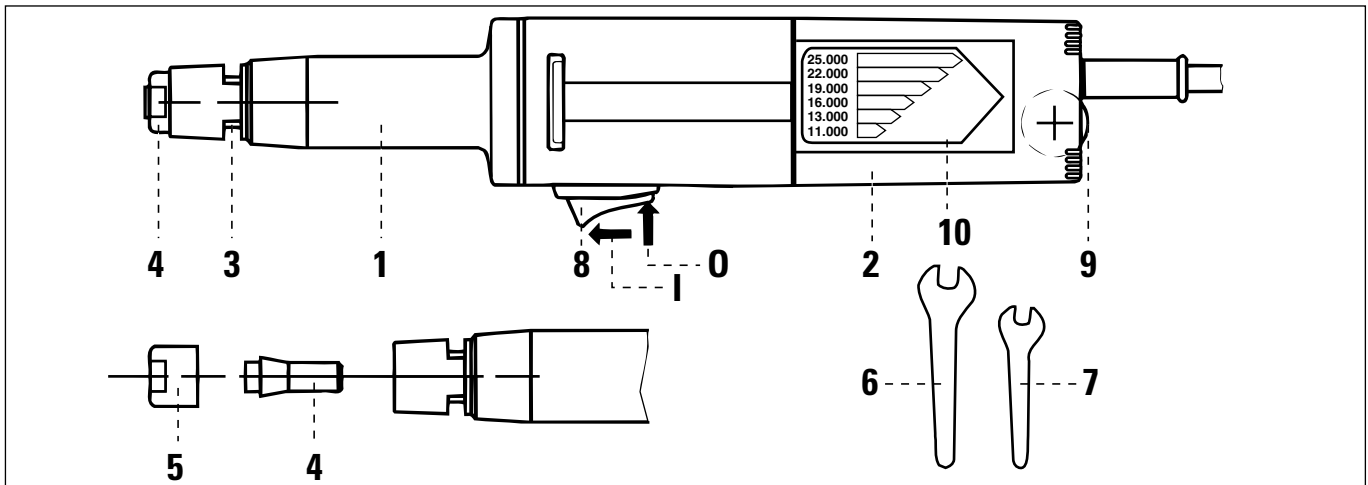
wood-condition gauge CS1



bag for the mini profi

EQUIPMENT FOR THE SMALLER JOB

T E C H N I C A L I N F O R M A T I O N		
SPECIFICATIONS	RECOMMENDED SPEED	APPLICATION
Power consumption: : 500 Watt Power production: : 300 Watt Voltage: : 230 V Amperage: : 2.2 A Frequency: : 50-60 Hz Protection category :II Sound level CEN/TC255N : 73 dB(A) Weight : 1.3 kg Collet chuck : Max. 6 mm	5 = 22,000 - round-head cutter tool 6 = 25,000 - pin cutter tool	<ul style="list-style-type: none"> • For expanded joints (round-head cutter tool for outdoor and pin cutter tool for indoor application) • Removal of wood knots and resin blisters by moulding cutter tool • Removal of soft and damaged wood down to the good base



MACHINE PARTS	STANDARD VERSION	RECOMMENDATIONS
<ol style="list-style-type: none"> 1. Neck 2. Motor case 3. Spindle 4. Collet chuck 5. Cover nut 6. Open-ended wrench 18 mm 7. Open-ended wrench 14 mm 8. On/off switch 9. Speed regulator 10. Speed rating plate 	<ul style="list-style-type: none"> • Mini Profi • Open-ended wrench 18 mm • Open-ended wrench 14 mm • Pin cutter tool • Round-head cutter tool • Carrier bag 	<ul style="list-style-type: none"> • Before use, always read the user and safety regulations • Have maintenance inspections carried out at regular intervals; this will prevent unnecessary faults and increase safety • In case of doubt, always contact your regional dealer or Repair Care International Ltd. <p>DETAILS</p> <ul style="list-style-type: none"> • Exclusively manufactured for Repair Care International Ltd. • Profi C provides many more possibilities (see documentation)

Although this technical product-data sheet has been drawn up with the utmost care and in accordance with the current state of the art, it is for information purposes only and Repair Care International Ltd. cannot be held liable for any incorrectness, mistakes, dtp- or printing errors.



Repair Care International Ltd.
 Unit E, Sawtry Business Park,
 Glatton Road, Sawtry Huntingdon
 Cambridgeshire, PE28 5GQ
 Tel: +44 (0)1487 830 311
 Fax: +44 (0)1487 832 876
 E-mail: salesuk@repair-care.com
 URL: http://www.repair-care.com

This product data sheet supersedes all earlier versions.

Version: February 2006
 Copyright (c) 2006
 Repair Care International Ltd
 All rights reserved